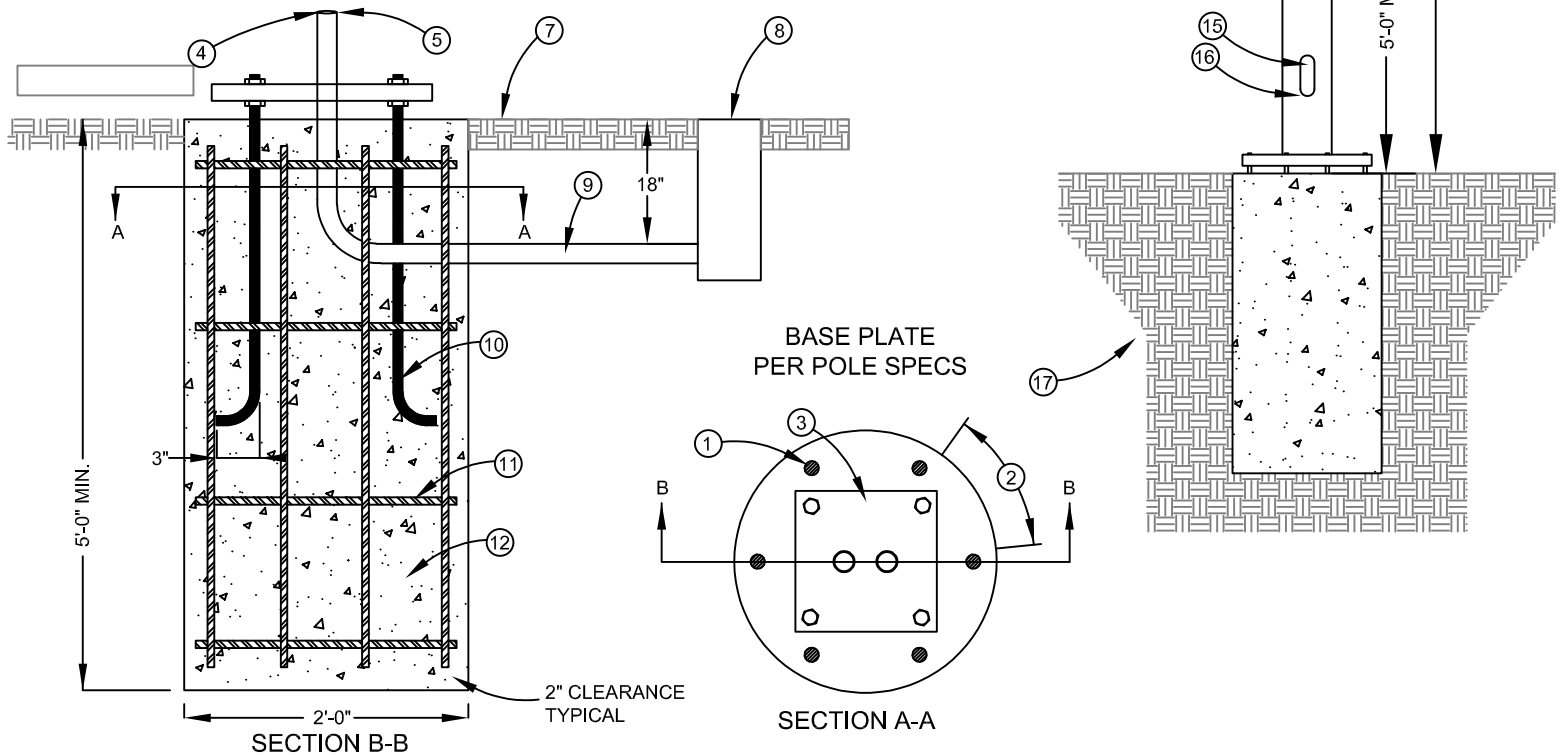


**LEGEND:**

- ① 6-#4 VERTICAL REBAR
- ② 6" LAP
- ③ ANCHOR BOLT SIZES AND LOCATIONS PER MANUFACTURER'S SPECIFICATIONS
- ④ 4" TO 6" STUBS
- ⑤ INSULATED BUSHING REQUIRED WHEN CONDUIT IS USED PER MANUFACTURER'S SPECIFICATIONS
- ⑥ PER MANUFACTURER'S SPECIFICATIONS
- ⑦ SIDE WALK LINE OR GRADE LINE
- ⑧ J-BOX
- ⑨ 1" MINIMUM DIAMETER
- ⑩ (4) ANCHOR BOLTS WITH DOUBLE NUTS FOR PLUMBING POLE GALVANIZED, WITH AT LEAST (2) GALVANIZED NUTS AND (2) GALVANIZED WASHERS PER BOLT
- ⑪ 4-#4 REBAR HOOPS
- ⑫ C-3000 CONCRETE AS PER SECTION 700 ISPWC
- ⑬ *SUBDIVISION INTERIOR* - 45 - 60 watts  
APPROVED EXAMPLES: EATON USSL-C01 OR LEOTEK AR13 N-SERIES  
*SUBDIVISION EXTERIOR OR R/W LIGHTS* - 80 - 90 watts  
APPROVED EXAMPLES: EATON USSL-C027 OR LEOTEK AR13 N-SERIES
- ⑭ BLACK COLORED STEEL SQUARE STRAIGHT LIGHTING POLES - VALMONT DS330 - 25' - 4" - 11 GAUGE - INTERIOR SUBDIVISION VALMONT DS330 - 30' - 5" - 11 GAUGE OR APPROVED EQUAL - EXTERIOR R/W LIGHTS
- ⑮ FUSE LOCATION
- ⑯ WATER-TIGHT HANDHOLE
- ⑰ BACKFILL TO BE COMPACTED TO 95% OF ASTM D698
- ⑱ BLACK BACKGROUND WHITE NUMBER VINYL STICKERS 1-1/2" X 2-1/2"

**NOTES:**

- Ⓐ SEE ISPWC FOR EXCAVATION, BACKFILLING AND CONSTRUCTION OF POLE FOUNDATION, WIRING, AND ACCEPTANCE OR REJECTION OF THE WORK.
- Ⓑ GROUND POLE TO THE SERVICE POINT VIA #6 AWG BARE WIRE PER NATIONAL ELECTRICAL CODE.
- Ⓒ #10 AWG WIRE FROM LUMINAIRE TO FUSE.
- Ⓓ FOR GROUNDING DETAILS SEE ISPWC SD-1117.
- Ⓔ COLOR TEMPERATURE 3,000K TO 4,000K



\*\*\*ALL PRODUCTS AS LISTED OR APPROVED SUBSTITUTIONS\*\*\*

v.05/27/2021



**CITY OF KUNA**

(208) 287-1728  
www.KunaID.gov

**STANDARD METAL  
STREET LIGHT DETAIL**

**KUNA STANDARD DRAWING K-1116**